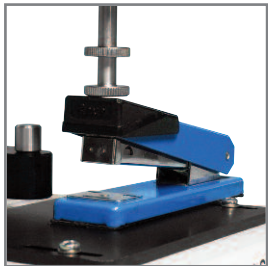


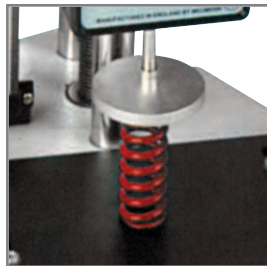
MDD

Manual Test Stand

- 1kN capacity
- Robust design
- High precision
- Compact & portable
- Handwheel operation
- Tension & compression



Actuation testing



Spring testing



Shown with digital force gauge (not supplied)

- rugged & reliable
- holes for bench mounting
- accepts digital height scales

The MDD, combined with a Mecmesin force gauge, is ideal for low cost tensile and compression testing on the production floor or in laboratories.

Easy to use, the MDD is operated via a handwheel, which gives precise control of the crosshead, together with a lockable thumbwheel for fine adjustment.

The MDD is also fitted with a standard dovetail bracket for easy interchangeability of Mecmesin force gauges and loadcells. An optional height scale can be added for digital display of displacement and optional feet allow the MDD to be used horizontally.

versatile
easy-to-use
cost-effective

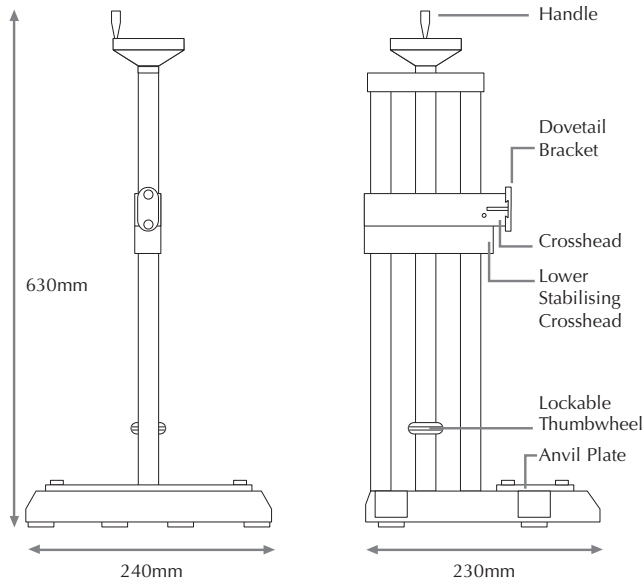
Tear testing



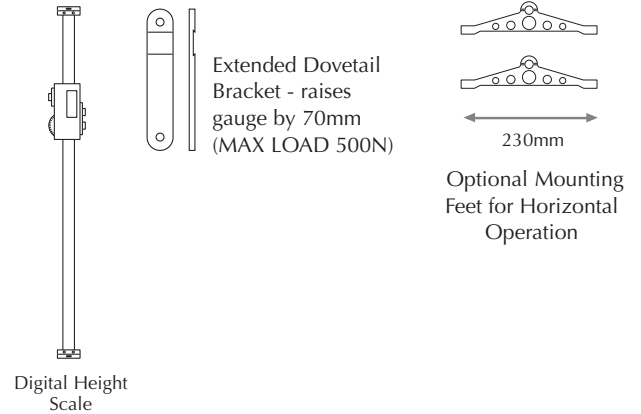
Tensile testing



Dimensions



Optional Extras



Mecmesin reserves the right to alter equipment specifications without prior notice.

Specifications

| Model | MDD - Manual Direct Drive Test Stand |
|------------------------------------|---|
| Crosshead travel (both directions) | 2mm per handwheel revolution |
| Effective crosshead travel | 380mm with AFG Force Gauge, but without accessories and height scale (400mm with BFG) 360mm with AFG/BFG Force Gauges and height scale, but without accessories |
| Maximum Load | 1000N/100kgf/220lbf |
| Weight | 6kg |
| Optional Extras: | |
| Height scale | 0.01mm (0.0005") resolution |
| Mounting feet | For horizontal operation |



Certificate No. FS 58553

DISTRIBUTOR STAMP

Head Office
Mecmesin Limited
 Newton House,
 Spring Copse Business Park,
 Slinfold, West Sussex,
 RH13 0SZ, United Kingdom.
 e. sales@mecmesin.com
 t. +44 (0) 1403 799979
 f. +44 (0) 1403 799975

North America
Mecmesin Corporation
 45921 Maries Road,
 Suite 120, Sterling
 Virginia 20166,
 U.S.A.
 e. info@mecmesincorp.com
 t. +1 703 433 9247
 f. +1 703 444 9860

Asia
Mecmesin Asia Co. Ltd
 308 Soi Rohitsuk,
 Ratchadapisak 14 Road,
 Huaykwang, Bangkok, 10310,
 Thailand.
 e. sales@mecmesinasia.com
 t. +66 2 275 2920 1
 f. +66 2 275 2922

China
Mecmesin (Shanghai) Pte Ltd
 Room 302, No. 172,
 Daxue Lu - University Avenue,
 Yangpu District, Shanghai, 200433,
 People's Republic of China.
 e. sales@mecmesin.cn
 t. +86 21 5566 1037 / 3377 1733
 f. +86 21 5566 1036