

ValuTest-D

Manual Test Stand

- 220lbf (1kN) capacity
- easy-to-use
- handwheel operation
- economical solution
- compact and portable
- rugged and reliable



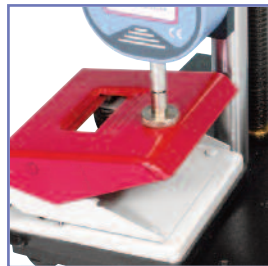
Shown with CFG+ digital force gauge
(Can also be supplied with BFG digital force gauge)



Compressive testing



Snap-cap testing



Tool testing



Compressing a pen

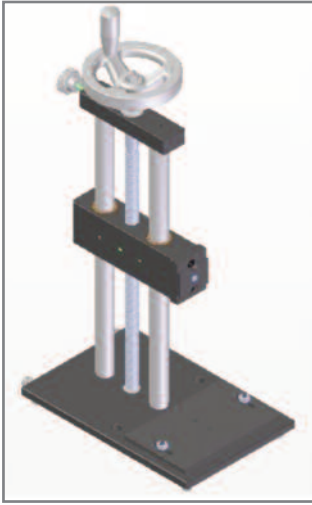
The ValuTest-D, combined with a Mecmesin Basic Force Gauge (BFG) or Compact Force Gauge+ (CFG+), is a simple and low cost solution for any tensile or compression testing application requiring a simple and inexpensive instrument.

It is an ideal solution for simple pull-off tests or push-in and push-out tests where quick comparative checks are required in the laboratory or in the production area.

Easy-to-use, the ValuTest-D is operated via a handwheel, which gives precise control of the crosshead for applying forces up to 1000 newtons.

versatile
economical
easy-to-use

Stand / Force Gauge Combinations



ValuTest-D

+



Basic Force Gauge (BFG)

+



BFG Bracket

or

+



Compact Force Gauge+ (CFG+)

+

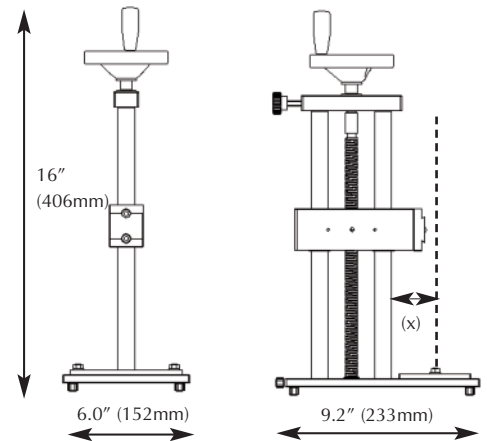


CFG+ Bracket

Specifications

Daylight with BFG without accessories	9.7" (246mm)
Daylight with CFG+ without accessories	10.2" (258mm)
Effective travel without gauge and accessories	10.2" (258mm)
Crosshead travel per handwheel revolution (both directions)	0.1" (3mm)
Maximum load	220lbf, 1000N, 100kgf
Weight	16 lbs (7.3kg)
Throat depth with BFG fitted (x)	2.4" (62mm)
Throat depth with CFG+ fitted (x)	2.1" (54.5mm)

Dimensions



DISTRIBUTOR STAMP

Head Office

Mecmesin Limited
Newton House,
Spring Copse Business Park,
Slinfold, West Sussex,
RH13 0SZ, United Kingdom.
e. sales@mecmesin.com
t. +44 (0) 1403 799979
f. +44 (0) 1403 799975

North America

Mecmesin Corporation
45921 Maries Road,
Suite 120, Sterling
Virginia 20166,
U.S.A.
e. info@mecmesincorp.com
t. +1 703 433 9247
f. +1 703 444 9860

Asia

Mecmesin Asia Co. Ltd
9/11 Chaiyo Building, 11th Floor,
Room 1106, Rama 9 Road,
Huaykwang, Bangkok, 10310,
Thailand.
e. sales@mecmesinasia.com
t. +66 2 247 46 81
f. +66 2 247 46 82

China

Mecmesin (Shanghai) Pte Ltd
Room 302, No. 172,
Daxue Lu - University Avenue,
Yangpu District, Shanghai, 200433,
People's Republic of China.
e. sales@mecmesin-china.com
t. +86 21 5566 1037 / 3377 1733
f. +86 21 5566 1057