

32-1103 REV 0



Series CTA Cap Torque Testers present a simple, accurate, and economical solution for manual cap torque testing. These testers are ideal for lab or production use for closure manufacturers, bottlers, food and beverage companies, and others. The CTA captures peak readings for application and removal torques. Data output via RS-232 and Mitutoyo enable reporting and analysis of test data via PC or other data collector. Adjustable posts effectively grip a broad range of container shapes and sizes, while a set of flat rubber-edged jaws are available for unique profiles. Innovative mechanical overload protection provides peace of mind. The CTA features an aluminum housing, rugged construction and close attention to engineering you'd expect from Mark-10.

Specifications

Accuracy:	±0.5% of full scale ±1 digit
Power:	AC or non-rechargeable 9V battery, with Intelligent Power Management System (IPM). IPM warns the user via a "LO BAT" indicator and then will power off the gauge.
Battery Life:	30 hours of continuous use
Selectable units of measurement:	lbFin, kgFmm, Ncm
Safe overload:	150% of full scale (display shows "----" at 110% and above)
Weight:	6.5 lb [2.9 kg]
Environmental Requirements:	40° F - 100° F [5°C - 45°C], <96% humidity (non-condensating)
Warranty	3 years (see individual statement for further details)

Features

Wide sample size range	Portable and flexible for a wide range of applications
Peak memory	For application and removal torque
Data outputs	RS-232 and Mitutoyo (Digimatic)
Selectable units	Measure in lbFin, kgFmm, or Ncm
Moveable posts	Accommodate a wide range of samples
Push-button calibration	Simple and quick calibration procedure

Optional Equipment

Sample gripping jaws CT001	Set of rubber jaws for gripping square or odd shape containers
Carrying case CT002	Provides storage space for the CT tester, CT001 gripping jaws, AC adapter, and accessories.



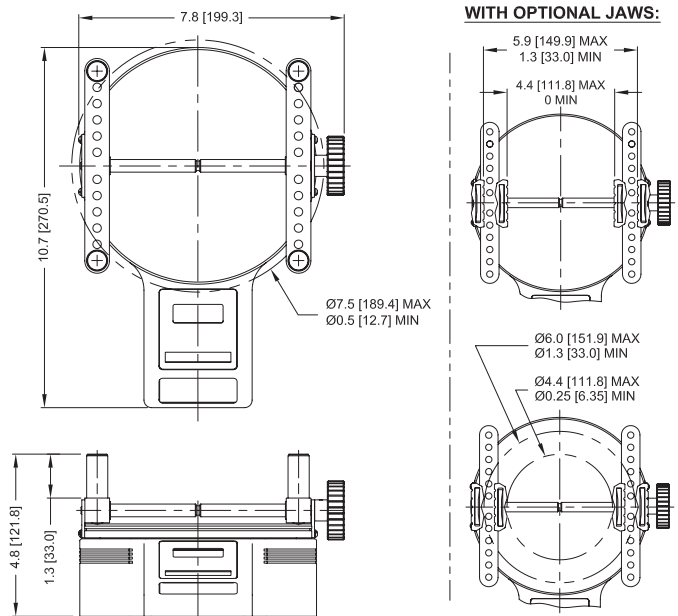
» Optional carrying case



» Optional sample jaws

Dimensions

in [mm]



Ordering Information

Model No.	Capacity x Resolution
CTA12	12 x 0.01 lbFin, 140 x 0.1 kgFmm, 135 x 0.1 Ncm, 110V
CTA50	50 x 0.05 lbFin, 580 x 0.5 kgFmm, 570 x 0.5 Ncm, 110V
CTA100	100 x 0.1 lbFin, 1150 x 1 kgFmm, 1150 x 1 Ncm, 110V
CT001	Sample gripping jaws, pair
CT002	Carrying case

For 220V operation, add suffix E to model number. Example: CTA50E

A study in simplicity...

- Recall peak readings for CW and CCW directions
- One-push data output to a PC or other device
- Easy-to-read display shows real time or peak torque reading, measurement direction, units, and battery status
- Zero the reading to begin a new test
- Easily change measurement units